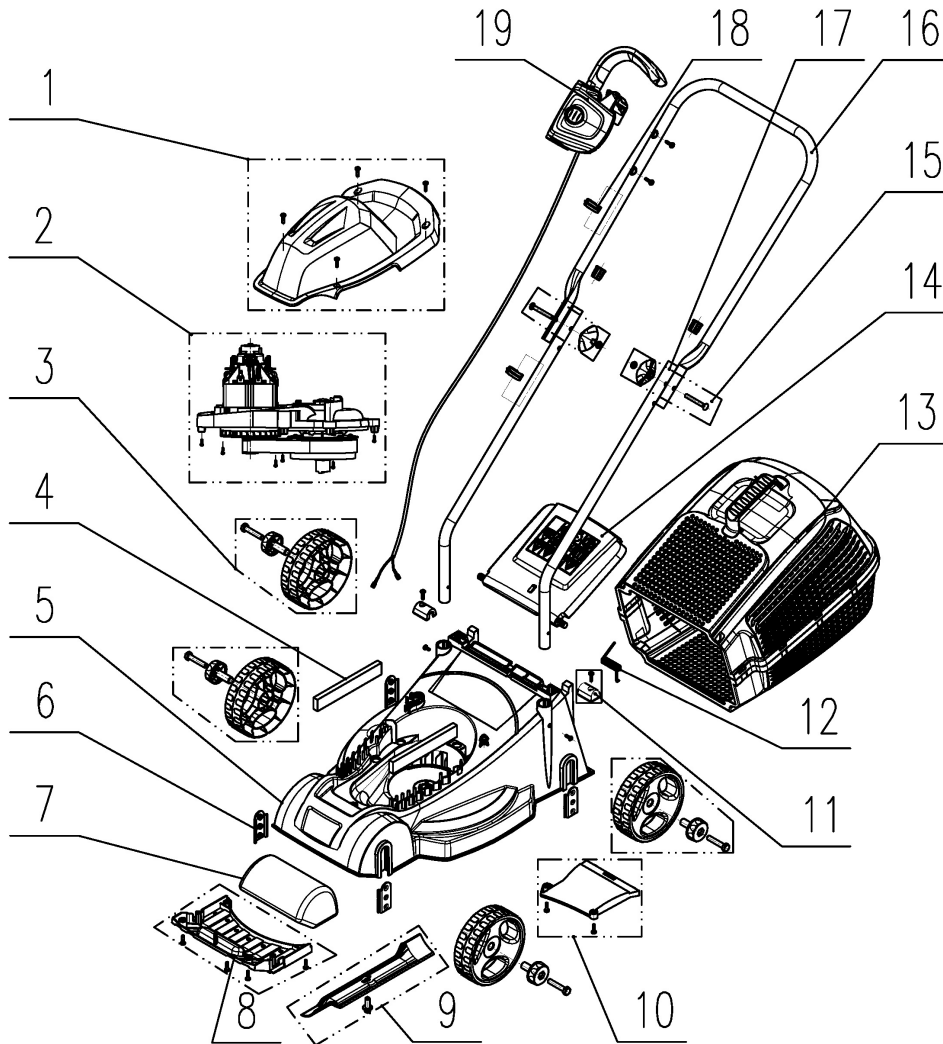


DRAPER®

SPARE PARTS LISTING & DRAWING SHEET FOR 1000W Rotary Mower

Stock No.03469 Part No.ME1030G



KEY No.	PART No.	STOCK No.	DESCRIPTION
1	YGP-ME1030G-01	04065	Motor housing cover
2	YGP-ME1030G-02	04066	Motor
3	YGP-ME1030G-03	04067	Wheel
4	YGP-ME1030G-04	04068	Foam
5	YGP-ME1030G-05	04069	Deck
6	YGP-ME1030G-06	04070	Insert board
7	YGP-ME1030G-07	04071	Weight drum
8	YGP-ME1030G-08	04072	Deck base plate
9	YGP-ME1030G-09	04073	Blade
10	YGP-ME1030G-10	04074	Deck bottom protect plate

KEY No.	PART No.	STOCK No.	DESCRIPTION
11	YGP-ME1030G-11	04075	Cap
12	YGP-ME1030G-12	04076	Spring
13	YGP-ME1030G-13	04077	Grass box
14	YGP-ME1030G-14	04078	Safety cap
15	YGP-ME1030G-15	04079	Knob
16	YGP-ME1030G-16	04080	Upper handle
17	YGP-ME1030G-17	04081	Lower handle
18	YGP-ME1030G-18	04082	Cable clammer
19	YGP-ME1030G-19	04083	Switch box (UK version/10M cable)

Helpline: (023) 8049 4344. Sales Desk: (023) 8049 4333. General Enquiries: (023) 8026 6355.

DRAPER TOOLS LTD, HURSLEY ROAD, CHANDLER'S FORD, EASTLEIGH, HANTS. SO53 1YF. U.K. internet: www.draper.co.uk e-mail: sales@drapertools.com