

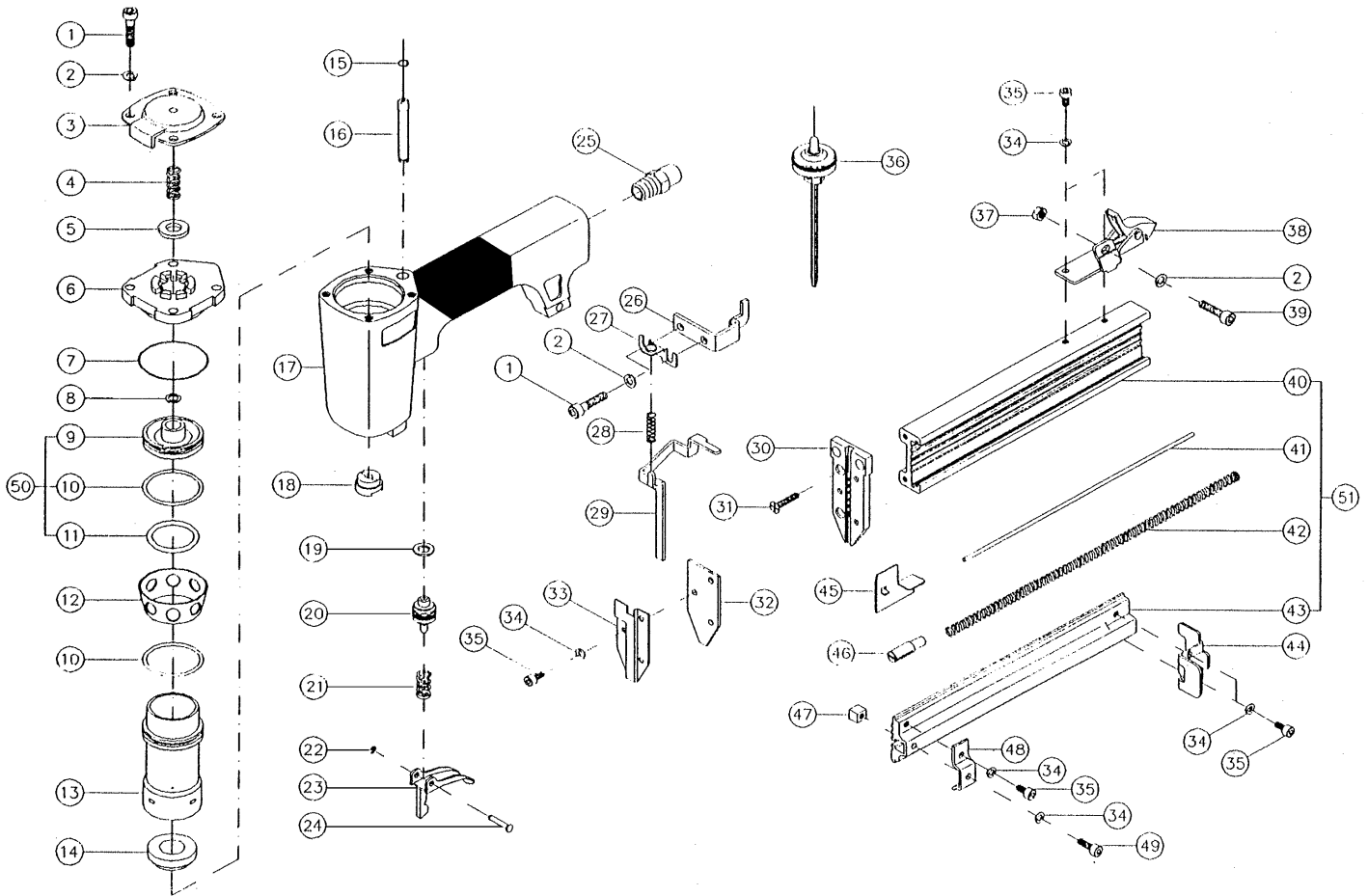
# PARTS LISTING

MACHINE: AIR NAILER

MACHINE PART No. 4271

MACHINE STOCK No. 26477

08/98



KEY No.	PART No.	STOCK No.	DESCRIPTION
1	Y4271-1	26519	Hex bolt
2	Y4271-2	26561	Plain washer
3	Y4271-3	26520	Exhaust cover
4	Y4271-4	26522	Compression spring
5	Y4271-5	26523	Seal
6	Y4271-6	26524	Cylinder end cap
7	Y4271-7	26526	O-ring
8	Y4271-8	26527	Washer
9	Y4271-9	26528	Head valve piston
10	Y4271-10	26530	O-ring
11	Y4271-11	26531	O-ring
12	Y4271-12	26532	Collar
13	Y4271-13	26533	Cylinder
14	Y4271-14	26534	Bumper
15	Y4271-15	26535	O-ring
16	Y4271-16	26536	Pipe
17	Y4271-17	26538	Body
18	Y4271-18	26540	Nozzle
19	Y4271-19	26544	Seal
20	Y4271-20	26591	Trigger valve assembly
21	Y4271-21	26550	Compression spring
22	Y4271-22	26541	E-ring
23	Y4271-23	26542	Trigger
24	Y4271-24	26543	Step pin
25	Y4271-25	26556	Air plug
26	Y4271-26	51285	Release catch support

KEY No.	PART No.	STOCK No.	DESCRIPTION
27	Y4271-27	26560	Spring holder
28	Y4271-28	26553	Compression spring
29	Y4271-29	26554	Release
30	Y4271-30	51354	Driver guide
31	Y4271-31	26563	Screw
32	Y4271-32	26582	Spacer plate
33	Y4271-33	26558	Driver guide cover
34	Y4271-34	26594	Washer
35	Y4271-35	26562	Screw
36	Y4271-36	51353	Driver blade assembly
37	Y4271-37	26571	Hex nut
38	Y4271-38	26592	Click lever assembly
39	Y4271-39	26552	Screw
40	Y4271-40	26574	Lower magazine unit
41	Y4271-41	26575	Steel bar
42	Y4271-42	26577	Pusher spring
43	Y4271-43	26576	Upper magazine unit
44	Y4271-44	26583	End plate
45	Y4271-45	51286	Pusher
46	Y4271-46	51287	Spring holder
47	Y4271-47	26579	Stopper
48	Y4271-48	26581	Front plate
49	Y4271-49	26596	Screw
50	Y4271-50	26586	Head valve piston assembly
51	Y4271-51	26593	Magazine unit assembly