

HEDGE TRIMMER

■ STOCK No.60555. ■ PART No.HT4545.
 ■ STOCK No.60556. ■ PART No.HT4555.

SPARE PARTS LISTING

05/2000

KEY No.	PART No.	STOCK No.	DESCRIPTION
1	YGP-45290055	62348	Housing body (Blue)
2	YGP-45290056	62349	Cap (Blue)
3	YGP-45290048	62350	Gearshift Lever
4	YGP-45290049	62351	Trigger
5	YGP-45290043	57505	Hand Guard
6	YGP-45290050	62352	Cap (Blue)
7	YGP-45290051	62353	Tip Switch
8	YGP-45290435	62354	Lever
9	YGP-45290438	62355	Rod
10	YGP-45290439	62356	Rod
11	YGP-45290820	57524	Support
14	YGP-45291809	62357	Motor Assembly
15	YGP-45290052	62358	Ventilator Fan
16	YGP-45290813	62359	Wire (Red)
17	YGP-2713013	62360	Quick Brake Switch (2)
18	YGP-45490144	57123	Block Connector
19	YGP-45490010	62361	Cable Sheath
20	YGP-45359835B	62362	BS Moulded Plug and Cable
23	YGP-45290437	62363	Shaft
24	YGP-45290203	57527	Spring Washer
25	YGP-45290411	57519	Carrier Plate (2)
26	YGP-45290005	57507	Insulating Grommet (2)
27	YGP-45291810	62364	Spur Wheel W/Washer
28	YGP-45290430	57521	Eccentric Washer (2)
29	YGP-45690889	62365	Sliding Ring (2)
30	YGP-45290412	57520	Separate Washer
31	YGP-45290423	57522	End Washer
32	YGP-45290202	57528	Nut (M12)

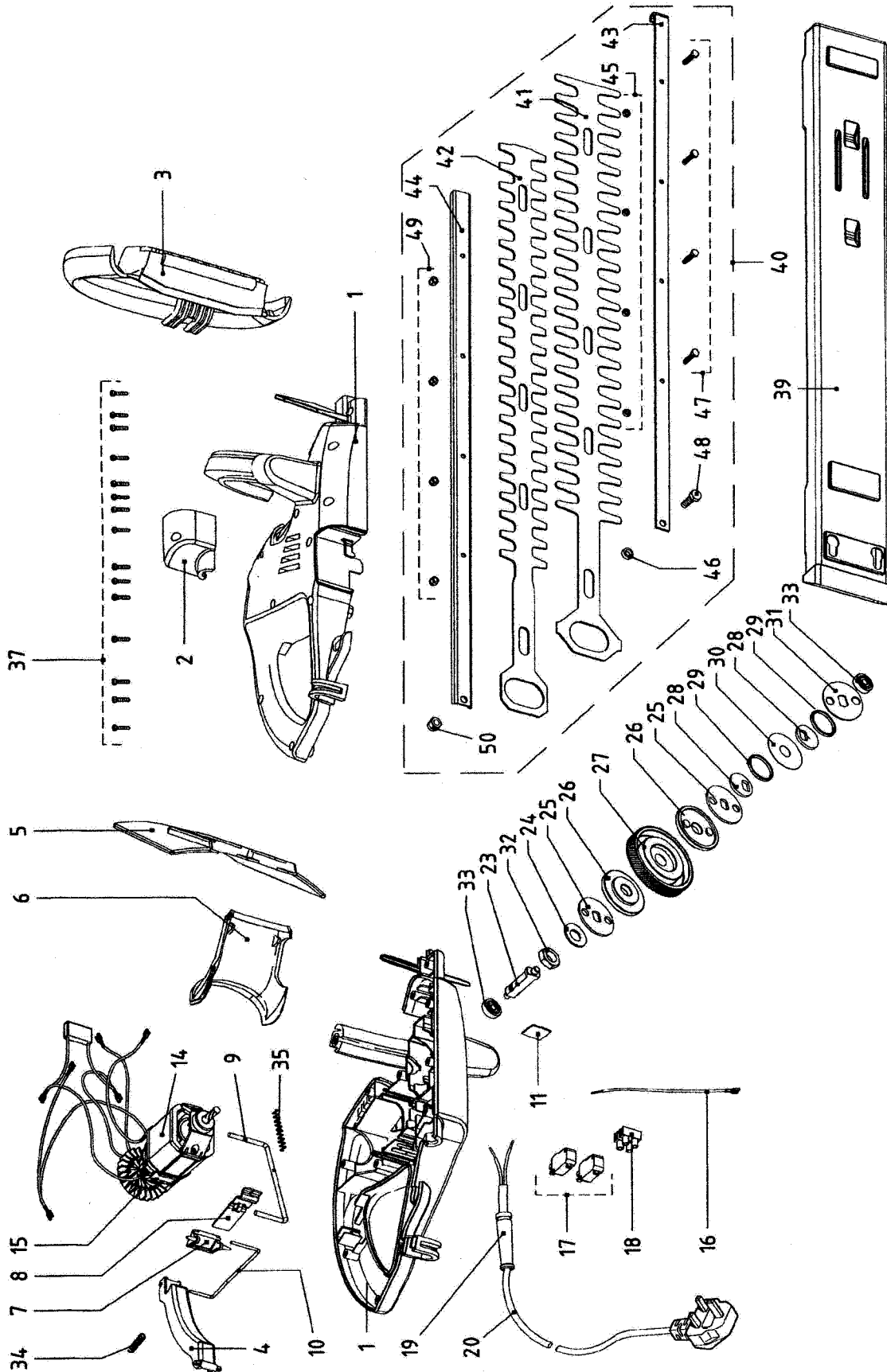
KEY No.	PART No.	STOCK No.	DESCRIPTION
33	YGP-45690244	62366	Ball Bearings (2)
34	YGP-45690259	62367	Spring
35	YGP-45290212	62368	Spring
37	YGP-45490232	56661	Screw Tx20(15)
39	YGP-45190821	57530	Quiver (HT4544)
39	YGP-45190022	57533	Quiver (HT4555)
40	YGP-45291800	62369	Complete Assembly (HT4545)
40	YGP-45291801	62370	Complete Assembly (HT4555)
41	YGP-45291806	62371	Shear Comb (HT4545)
41	YGP-45291807	62372	Shear Comb (HT4555)
42	YGP-45291803	62373	Shear Knife (HT4545)
42	YGP-45291804	62374	Shear Knife (HT4555)
43	YGP-45190449	62375	Blade (HT4545)
43	YGP-45190459	62376	Blade (HT4555)
44	YGP-45490433	62377	Knife Rail (HT4545)
44	YGP-45490434	62378	Knife Rail (HT4555)
45	YGP-45290209	62379	Spacer (HT4545) (4)
45	YGP-45290209	62379	Spacer (HT4555) (5)
46	YGP-45690885	62380	Spacer (HT4545)
46	YGP-45690885	62380	Spacer (HT4555)
47	YGP-45190216	62381	Screw M4 (HT4545) (4)
47	YGP-45190216	62381	Screw M4 (HT4555) (5)
48	YGP-45290210	62382	Screw M6 (HT4545)
48	YGP-45290210	62382	Screw M6 (HT4555)
49	YGP-45690267	62383	Nut M4 (HT4545) (4)
49	YGP-45690267	62383	Nut M4 (HT4555) (5)
50	YGP-45690268	62384	Nut M6 (HT4545)
50	YGP-45690268	62384	Nut M6 (HT4555)

HEDGE TRIMMER

■ STOCK No.60555. ■ PART No.HT4545.
■ STOCK No.60556. ■ PART No.HT4555.

PARTS DRAWING

05/2000



POWER DIVISION HELPLINE: (023) 8049 4344