



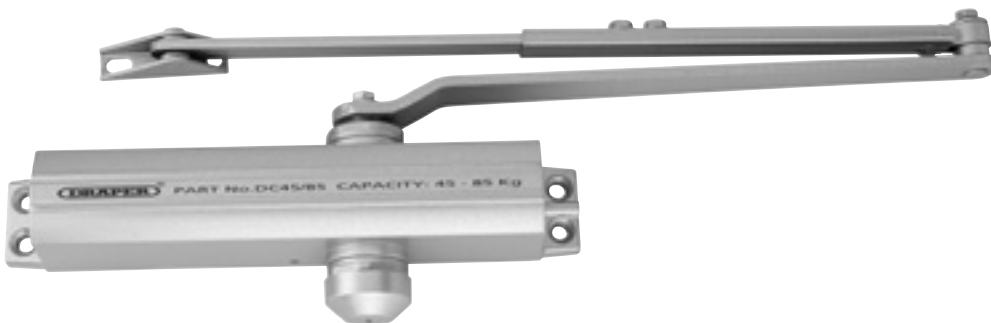
INSTRUCTIONS FOR

# Door Closer

Stock No.62890

Part No.DC45/85

**IMPORTANT:** PLEASE READ THESE INSTRUCTIONS CAREFULLY TO ENSURE THE SAFE AND EFFECTIVE USE OF THIS PRODUCT.



## GENERAL INFORMATION

These instructions accompanying the product are the original instructions. This document is part of the product, keep it for the life of the product passing it on to any subsequent holder of the product. Read all these instructions before assembling, operating or maintaining this product.

This manual has been compiled by Draper Tools describing the purpose for which the product has been designed, and contains all the necessary information to ensure its correct and safe use. By following all the general safety instructions contained in this manual, it will ensure both product and operator safety, together with longer life of the product itself.

All photographs and drawings in this manual are supplied by Draper Tools to help illustrate the operation of the product.

Whilst every effort has been made to ensure the accuracy of information contained in this manual, the Draper Tools policy of continuous improvement determines the right to make modifications without prior warning.

# 1. TITLE PAGE

---

## **1.1 INTRODUCTION:**

USER MANUAL FOR:  
**DOOR CLOSER**

Stock no. 62890  
Part no. DC45/85

## **1.2 REVISIONS:**

---

Date first published May 2016.

---

---

---

As our user manuals are continually updated, users should make sure that they use the very latest version.

Downloads are available from: <http://www.drapertools.com/manuals>

DRAPER TOOLS LIMITED  
HURSLEY ROAD  
CHANDLER'S FORD  
EASTLEIGH  
HAMPSHIRE  
SO53 1YFUK

WEBSITE: [www.drapertools.com](http://www.drapertools.com)  
PRODUCT HELPLINE: +44 (0) 23 8049 4344  
GENERAL FAX: +44 (0) 23 8026 0784

## **1.3 UNDERSTANDING THIS MANUALS SAFETY CONTENT:**

**WARNING!** Information that draws attention to the risk of injury or death.

**CAUTION!** Information that draws attention to the risk of damage to the product or surroundings.

## **1.4 COPYRIGHT © NOTICE:**

Copyright © Draper Tools Limited.  
Permission is granted to reproduce this publication for personal & educational use only.  
Commercial copying, redistribution, hiring or lending is prohibited.  
No part of this publication may be stored in a retrieval system or transmitted in any other form or means without written permission from Draper Tools Limited.

In all cases this copyright notice must remain intact.

---

## 2. CONTENTS

---

### 2.1 CONTENTS

	<b>PAGE CONTENT</b>	<b>PAGE</b>
1	TITLE PAGE	
	1.1 INTRODUCTION .....	2
	1.2 REVISION HISTORY .....	2
	1.3 UNDERSTANDING THIS MANUAL .....	2
	1.4 COPYRIGHT NOTICE .....	2
2	CONTENTS	
	2.1 CONTENTS .....	3
3	GUARANTEE	
	3.1 GUARANTEE .....	4
4	INSTALLATION INSTRUCTIONS	
	4.1 REGULAR ARM (PULL SIDE) MOUNTING .....	5
5	INSTALLATION INSTRUCTIONS	
	5.1 PARALLEL ARM (PUSH SIDE) MOUNTING .....	6
6	INSTALLATION INSTRUCTIONS	
	6.1 PARALLEL ARM (PUSH SIDE) MOUNTING .....	7
7	DOOR CLOSING CYCLE	
	7.1 CLOSING SPEED .....	8
	7.2 LATCHING SPEED .....	8

## 3. GUARANTEE

---

### 3.1 GUARANTEE

Draper tools have been carefully tested and inspected before shipment and are guaranteed to be free from defective materials and workmanship.

Should the tool develop a fault, please return the complete tool to your nearest distributor or contact Draper Tools Limited, Chandler's Ford, Eastleigh, Hampshire, SO53 1YF. England. Telephone: (023) 8026 6355.

A proof of purchase must be provided with the tool.

If upon inspection it is found that the fault occurring is due to defective materials or workmanship, repairs will be carried out free of charge. This guarantee period covering parts/labour is 12 months from the date of purchase. This guarantee does not apply to normal wear and tear, nor does it cover any damage caused by misuse, careless or unsafe handling, alterations, accidents, or repairs attempted or made by any personnel other than the authorised Draper warranty repair agent.

**NOTE:** If the tool is found not to be within the terms of warranty, repairs and carriage charges will be quoted and made accordingly.

This guarantee applies in lieu of any other guarantee expressed or implied and variations of its terms are not authorised.

Your Draper guarantee is not effective unless you can produce upon request a dated receipt or invoice to verify your proof of purchase within the guarantee period.

Please note that this guarantee is an additional benefit and does not affect your statutory rights.

Draper Tools Limited.

# 4. INSTALLATION INSTRUCTIONS

## 4.1 FOR REGULAR ARM (PULL SIDE) MOUNTING

This installation process covers regular arm installations up to 180° openings.

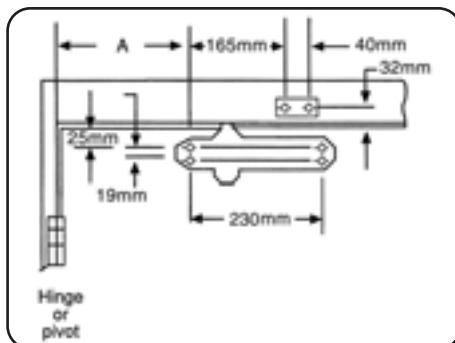
1. Select the door opening angle and use the dimensions shown opposite. Mark four holes on the door for the door closer and two holes on the frame for the arm shoe.
2. Drill 4mmØ pilot holes in the door and frame for the fixings supplied.
3. Fix the forearm/arm shoe assembly to the door frame using the fixings supplied.
4. Attach the closer to the door using the fixings supplied.

Note: The speed adjusting valve must be positioned towards the hinged edge of the door.

5. Install the main arm onto the top pinion shaft, perpendicular to the door as illustrated. Tightly secure it in place using the screw/washer assembly supplied.
6. Adjust the length of the forearm so that it is perpendicular to the door frame when assembled to preloaded main arm (see 'top view' illustration). Secure the forearm to the main arm using the screw/washer assembly provided.
7. Snap the pinion cap over the pinion shaft at the bottom of the closer unit.
8. Adjust the closing speed of the door using the procedure detailed on page 8.

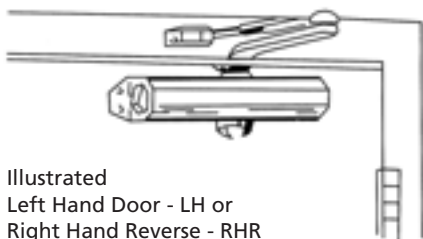
STOCK No. 62890  
PART No. DC45/85  
OPENING TO 120°  
DIMENSION A = 120mm

OPENING FROM 120° TO 180°  
DIMENSION A = 80mm



### REGULAR ARM INSTALLATION

Closer installs on PULL/HINGE side of door



Illustrated  
Left Hand Door - LH or  
Right Hand Reverse - RHR

### TYPICAL TOP VIEW INSTALLATION



# 5. INSTALLATION INSTRUCTIONS

## 5.1 FOR PARALLEL ARM (PUSH SIDE) MOUNTING

This installation process covers parallel arm installations up to 180° openings.

1. Select the door opening angle and use the dimensions shown opposite. Mark four holes on the door for the door closer and four holes on the underside of the frame for the parallel bracket.
2. Drill 4mmØ pilot holes in the door and frame for the fixings supplied.
3. Attach the closer to door using screws provided, speed adjusting valve must be positioned away from hinge edge.
4. Fix parallel arm bracket to the frame using screws provided.
5. Using a wrench on the square shaft at the bottom of the closer, rotate the shaft 100mm to 125mm towards the hinged edge of door. Hold and place the main arm of the shaft on top of the closer at the index mark, as on "top view" illustration.

For left hand door illustration A.

For right hand door illustration B.

Tighten arm screw with lockwasher securely.

6. Remove arm shoe from forearm and discard. Install rod end of forearm to bracket using the screw/washer assembly provided.
7. Adjust forearm length so that adjustable forearm is parallel to the frame.
8. Adjust the closing speed of the door using the procedure detailed on page 8.

STOCK No. 62890

PART No.DC45/85

OPENING TO 120°

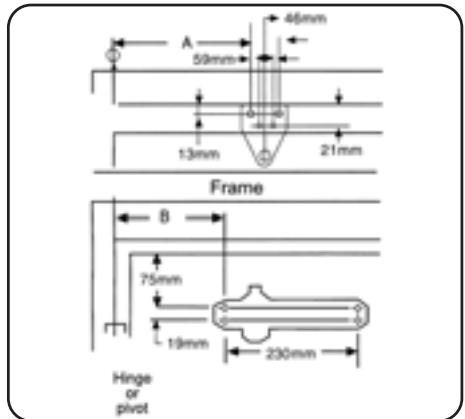
DIMENSION A = 149mm

DIMENSION B = 119mm

OPENING FROM 120° TO 180°

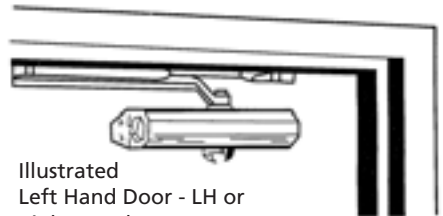
DIMENSION A = 119mm

DIMENSION B = 89mm

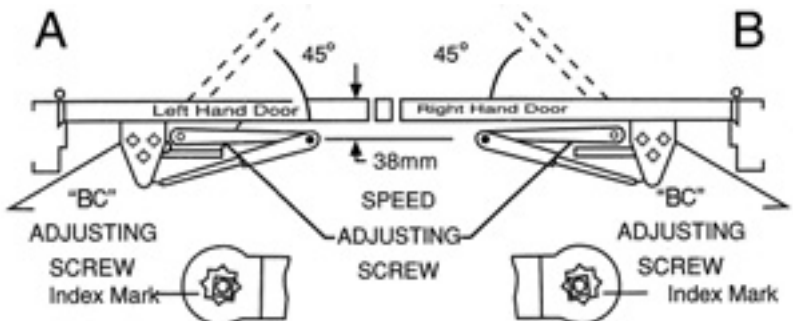


### PARALLEL ARM INSTALLATION

Closer installs on PUSH/STOP side of door



### TYPICAL TOP VIEW INSTALLATION



# 6. INSTALLATION INSTRUCTIONS

## 6.1 FOR PARALLEL ARM (PUSH SIDE) MOUNTING

This installation process covers parallel arm installations up to 180° openings.

1. Select the door opening angle and use the dimensions shown opposite. Mark four holes on the door for the door closer and four holes on the underside of the frame for the parallel bracket.
2. Drill 4mmØ pilot holes in the door and frame for the fixings supplied.
3. Attach the closer to door using screws provided, speed adjusting valve must be positioned away from hinge edge.
4. Fix parallel arm bracket to the frame using screws provided.
5. Using a wrench on the square shaft at the bottom of the closer, rotate the shaft 100mm to 125mm towards the hinged edge of door. Hold and place the main arm of the shaft on top of the closer at the index mark, as on "top view" illustration.  
For left hand door illustration A.  
For right hand door illustration B.  
Tighten arm screw with lockwasher securely.
6. Remove arm shoe from forearm and discard. Install rod end of forearm to bracket using the screw/washer assembly provided.
7. Adjust forearm length so that adjustable forearm is parallel to the frame.
8. Adjust the closing speed of the door using the procedure detailed on page 8.

STOCK No. 62890

PART No.DC45/85

OPENING TO 120°

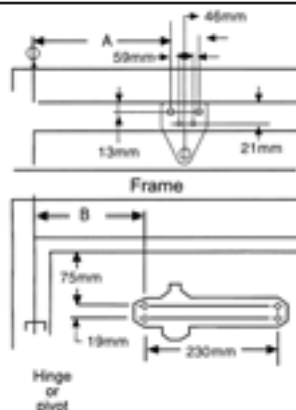
DIMENSION A = 200mm

DIMENSION B = 150mm

OPENING FROM 120° TO 180°

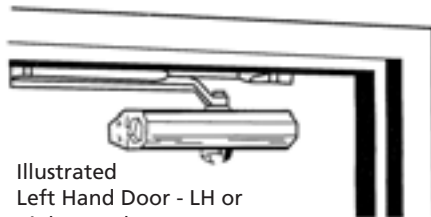
DIMENSION A = 170mm

DIMENSION B = 120mm

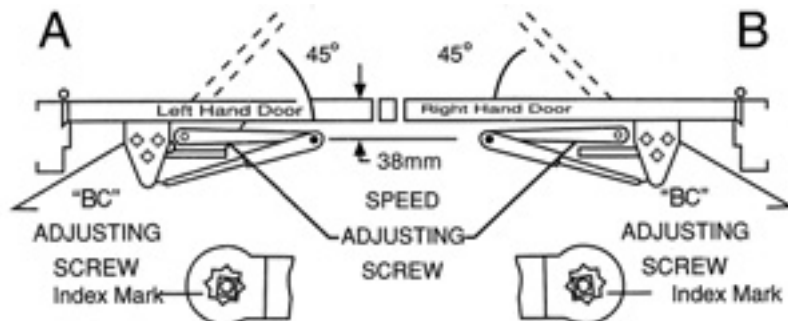


### PARALLEL ARM INSTALLATION

Closer installs on PUSH/STOP side of door



### TYPICAL TOP VIEW INSTALLATION



# 7. DOOR CLOSING CYCLE

## 7.1 CLOSING SPEED

Closing arcs are controlled by two separate speed adjusting valves. Adjust the closing speed first then adjust the latching speed.

Turn the speed adjusting valve a full rotation clockwise for a slower closing speed.

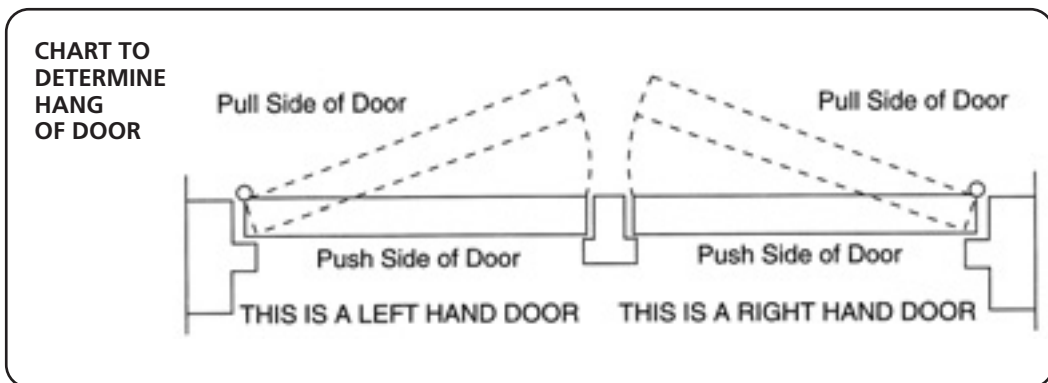
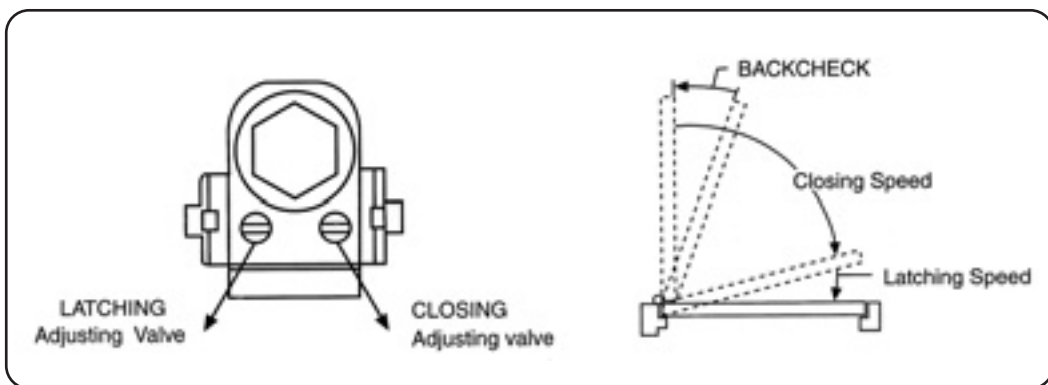
Turn the speed adjusting valve a full rotation anti clockwise for a faster closing speed.

## 7.2 LATCHING SPEED

Turn the speed adjusting screw a full rotation clockwise for a slower latching speed.

Turn the speed adjusting screw a full rotation anti clockwise for a faster latching speed.

**CAUTION:** Do not turn speed adjusting valve more than two full turns anti clockwise from its factory set position, as two speed adjusting valves could become dislodged from the door closer body, resulting with the loss of internal fluid and failure of the device.











- **DRAPER TOOLS LIMITED,**  
Hursley Road, Chandler's Ford,  
Eastleigh, Hampshire. SO53 1YF. U.K.
- **Helpline:** (023) 8049 4344
- **Sales Desk:** (023) 8049 4333
- **General Enquiries:** (023) 8026 6355
- **Service/Warranty Repair Agent**  
For aftersales servicing or warranty repairs, please  
contact the Draper Tools Helpline for details of an  
agent in your local area.

YOUR DRAPER STOCKIST

DBLJ0516

